

Model: NT-IPS22AT

Spec: I15/P/33X/AT

H.265 2MP 33x Starlight Autotracking  
POE IR PTZ Camera



## Features

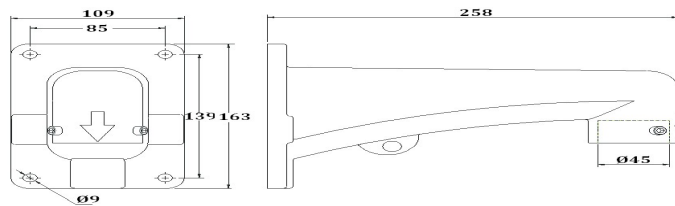
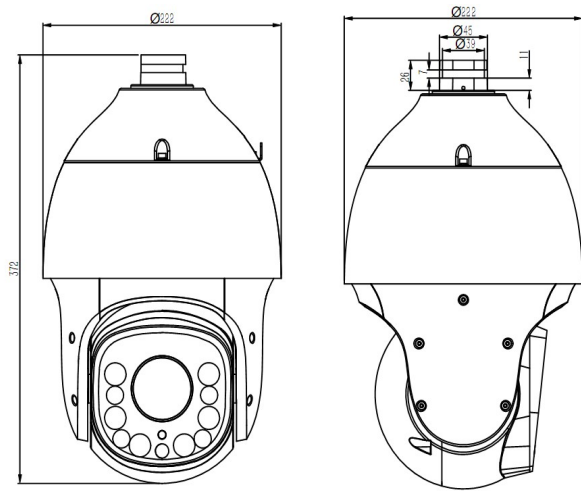
- Starlight Ultra Low Light 0.002lux
- S+265, H.265, H.264 & M-JPEG Compression
- WDR 140 dB
- Up to 1920x1220@30fps
- Smart IR, IR Range: 150m
- Optical Zoom: 33x, Digital Zoom: 16x
- Speed Max400°/s, -16~90° Tilt Angle
- NIR, WDR, 3D DNR, HLC, Dual-ICR, AWB, AGC, BLC
- Supports panoramic tracking, manual tracking and behavior analysis linkage tracking
- VCA Tripwire/Double Tripwire/Perimeter/Object Abandon/Object Lost/Running/Loitering/People Counting/Parking/Crowd/Audio Abnormal Detection/Video Abnormal Detection
- Interface Built-in Mic, Audio in/out 1/1, Alarm in/out 1/1, MicroSD Card Slot, up to 128GB, Reset Button
- TVS 6000V, Lightning/Surge 4000V Protection, IP66

Camera	
<b>Image Sensor</b>	1/2.8" Progressive Scan CMOS
<b>Signal System</b>	PAL/NTSC
<b>Minimum Illumination</b>	Color: 0.002 Lux @(F1.6,AGC ON)
	B/W:0.001Lux @(F1.6,AGC ON) 0 Lux with IR
<b>White Balance</b>	Auto,Manual ,Auto,Semi auto,Sunshine,Daylight lamp,Warmlight Lamp, Filament lamp,Nature Light,lock White Balaince,Manual
<b>BLC</b>	Y
<b>HLC</b>	Y
<b>Smart Defog</b>	Y
<b>WDR</b>	140dB
<b>Digital Noise Reduction</b>	Auto 3D DNR(Ordinary,Expert Mode)
<b>SNR</b>	>50dB
<b>AGC</b>	Auto,Manual(0-100)

<b>Exposure Mode</b>	Auto/ Manual/Iris First/ Shutter First
<b>Shutter Time</b>	1/1s~1/100000s
<b>Day&amp; Night</b>	IR Cut Filter with Auto Switch
<b>Optical Zoom</b>	33x
<b>Digital Zoom</b>	16x
<b>Privacy Masking</b>	24 Privacy Mask Programmable; Optional Multiple Colors
<b>Auto Focus</b>	Auto/ Semi-automatic/ Manual
<b>OSD</b>	Size:16×16, 32×32, 24×24, 48×48, 64×64,96×96 Letters, Week, Date, Time, Total 5 Regions ,PTZ Angle Superposition
<b>Lens</b>	
<b>Focal Length</b>	4.6-152mm, 33x
<b>Zoom Speed</b>	Approx.5s(Optical Wide-Tele)
<b>Focus</b>	Auto, Manual
<b>Iris</b>	Auto
<b>Angle of View</b>	62.1° (w) ~2.18° (t)
<b>Minimum Working Distance</b>	1-1.5m(Wide-Tele)
<b>Aperture Range</b>	F1.5-F4.0
<b>Pan &amp; Tilt</b>	
<b>Pan Range</b>	360° Endless
<b>Pan Speed</b>	Pan Manual Speed: 0.1° -240°/s Pan Preset Speed: 240°/s
<b>Preset Accuracy</b>	±0.2°
<b>Tilt Range</b>	-16°-90° (Auto Flip )
<b>Tilt Speed</b>	Tilt Manual Speed: 0.1°-240°/s Tilt Preset Speed: 240°/s
<b>3D Position</b>	Y
<b>Number of Preset</b>	500
<b>Scan</b>	8
<b>Cruise</b>	16, up to 32 Presets per Cruise
<b>Pattern</b>	8, Each One With 600s Memory or 300 Orders
<b>Power loss recovery</b>	Y
<b>Guard Action</b>	Preset/ Cruise/ Pattern/ Scan
<b>PTZ Position Display</b>	Y
<b>Freeze Frame</b>	Y
<b>RS-485 Protocols</b>	N/A
<b>Infrared</b>	
<b>IR Irradiation Distance</b>	150m
<b>IR Irradiation Angle</b>	Adjustable by Zoom
<b>Interface</b>	
<b>Audio Input</b>	1-ch Mic in(Line in Interface),Two way Audio Line Input 2-2.4V[p-p]; Output Impedance 1KΩ, ±10%
<b>Audio Output</b>	1-ch, Line level, Impedance: 600Ω

<b>Ethernet</b>	1-ch RJ45 10M/ 100M
<b>Alarm Input</b>	1-ch
<b>Alarm Output</b>	1-ch
<b>On-board Storage</b>	MicroSD Card Slot, up to 128GB
<b>BNC</b>	N/A
<b>RS-485</b>	N/A
<b>RESET</b>	Y
<b>Extension</b>	N/A
<b>Network</b>	
<b>Max.Image Resolution</b>	1920×1220
<b>Main Stream</b>	1920×1220@50/60fps; 1280×960@50/60fps; 1280×720@50/60fps 704×576@50/60fps 704×480@50/60fps
<b>Sub Stream</b>	704×576@25fps/704×480@30fps 352×288@25fps/352×240@30fps 176×144@25fps/176×120@30fps
<b>Third Stream</b>	1920×1220@25/30fps; 1280×960@25/30fps 1280×720@25/30fps; 640×480@25/30fps; 704×576@25fps; 704×480@30fps; 704×288@25fps; 704×240@30fps; 352×288@25fps; 352×240@30fps
<b>Image Compression</b>	S+265/H.265/H.264 High Profile/MJPEG
<b>ROI Encoding</b>	7 Dynamic Areas for Both Main and Sub Stream
<b>Audio Compression</b>	G711A/G711U/ADPCM/AAC
<b>Protocols</b>	TCP/IP, ICMP, HTTP, HTTPS, DHCP, DNS, DDNS, RTP, RTSP, RTCP, PPPoE, MULTICAST, UPnP, FTP, IPV4, NTP, SMTP, IGMP, 802.11x, QoS, IPV6, ARP, UDP, SNMP, SSL, SIP, Telnet, SNTP, RTMP, SFTP, NFS
<b>Remote Connection</b>	10 Users Access at the Same Time
<b>IP Address</b>	Support static, dynamic IP address, Customized MTU , Customized Network card
<b>System Compatibility</b>	ONVIF (Profile S), ONVIF through API Support SDK,P2P
<b>Advance</b>	
<b>Autotracking Early Warning(AEW)</b>	N/A
<b>Video Analytics(IVA)</b>	Tripwire/Double Tripwire/Perimeter/Object Abandon/Object Lost/Running/Loitering/Parking /Crowd/Audio Abnormal Detection/Video Abnormal Detection
<b>Smart-tracking</b>	By Manual/ Panorama/Tripwire/ Perimeter
<b>Intelligent Alarm</b>	Motion Detection, Mask Alarm, Tamper Alarm,Port Alarm, Network Disable Alarm, IP Conflict, MAC Conflict Detection
<b>General</b>	
<b>Language</b>	English,Spanish,Korean,Italian,Turkish,Thai,Russian,Traditional Chinese,Simplified,Chinese,Polish,French

<b>Operating Conditions</b>	-40°C-70°C, 0~95% RHG
<b>Power Supply</b>	DC12V±10%/POE+(IEEE802.3 at)
<b>Power Consumption</b>	18.6W(IR OFF)/ 32.36W(IR ON )
<b>Circuit Protection</b>	TVS 6000V, Lightning/ Surge 4000V Protection
<b>Impact Protection</b>	IP66,IK10
<b>IR LEDs</b>	4pcs
<b>White LEDs</b>	N/A
<b>Wiper</b>	N/A
<b>Dimensions</b>	372mmx222mmx222mm
<b>Weight</b>	4.8KG (IP PTZ Only), 7.5KG (with Packing Box)
<b>Certification</b>	BIS



Note: Product and design are subject to change without any prior notice.