

Model: NT-IDN14-PRO

Spec: I3/P/2.8mm

4MP H.265 IR Dome Camera (2.8mm)



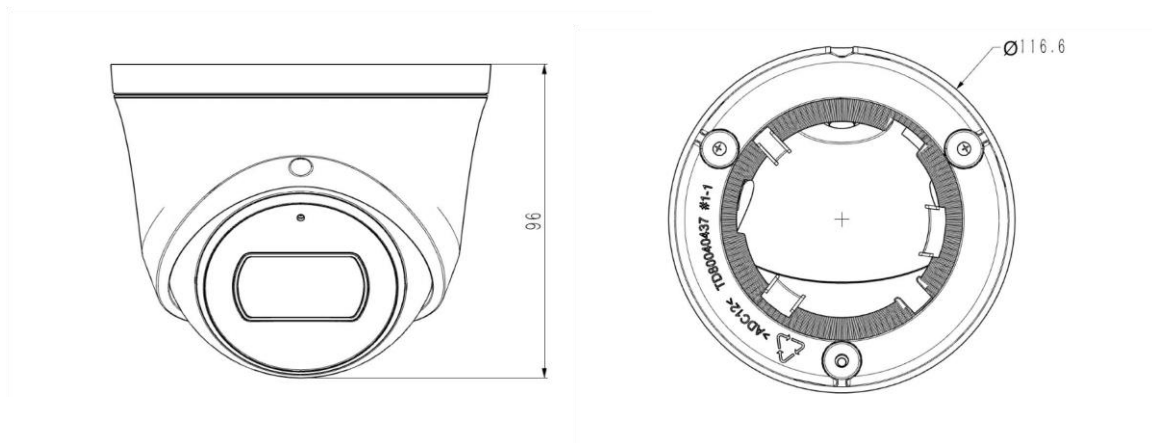
Features

- Up to 2592x1520@25fps
- S+265/H.265/H.264
- Min. illumination Color: 0.002Lux@F1.6
- 120 dB WDR
- Smart IR, IR Range: 30m
- Support tripwire and perimeter
- Built-in Mic, SD Card Slot, Reset Button
- Operating Conditions -35°~65°, 0~95% RH
- POE, IP67
-

Camera	
Image Sensor	1/2.8" CMOS
Signal System	PAL/NTSC
Min. Illumination	Color: 0.002Lux@ (F1.6, ACG ON), B/W: 0Lux with IR
Shutter Time	1s to 1/100,000s
Day & Night	Dual IR Cut Filter with Auto Switch
Wide Dynamic Range	120dB
Angle Adjustment	pan 0~340°, tilt 0~75°, rotate 0~360°
Lens	
Lens Type	Fixed
Focus	2.8mm
Lens Mount	M12
Aperture	F1.6, Fixed
FOV	Horizontal field of view: 93.8°
Illuminator	
IR LEDs	2
IR Range	Up to 30m
Wavelength	850nm
White LEDs/Warmlights	N/A

Compression Standard	
Video Compression	S+265/H.265/H.264
Video Bit Rate	32Kbps~6Mbps
Audio Compression	G.711/G.711U/ADPCM
Audio Bit Rate	8K~48Kbps
Image	
Max. Resolution	2592x1520
Main Stream	PAL: 25fps (2592x1520, 2560x 1440, 2304x 1296, 1920x 1080, 1280x 720)
	NTSC: 25fps (2592x1520, 2560x 1440), 30fps (2304x 1296, 1920x 1080, 1280x 720)
Sub Stream	PAL: 25fps (704x576, 704x 288, 640x 360, 352x 288)
	NTSC: 30fps (704x480, 704x 240, 640x 360, 352x 240)
Image Setting	Saturation, brightness, contrast, sharpness, adjustable by client software or web browser
Image Enhancement ROI	BLC/3D DNR/HLC
	N/A
OSD Picture Overlay	16x16, 32x32, 48x48, 64x64, adaptable size, Letters Such as Week, Date, Time, Total 3 Regions
	N/A
Privace Mask	Yes, 4 regions
Smart Defog	Yes
Feature	
Alarm Trigger	Motion Detection, Mask Alarm, IP Address Conflict
Video Analytics	Tripwire, Perimeter
Network	
ANR	Yes, auto store video in SD card when NVR disconnected, and upload video to NVR when resumed connection (Only Support NT-SERIES NVR)
Protocols	TCP/IP, HTTP, FTP, DHCP, DNS, DDNS, MULTICAST, IPV4, NTP, UDP, Telnet
System Compatibility	ONVIF (PROFILE S/T/G), SDK, CGI (IE), P2P(Mutually exclusive with Profile G)
Remote Connection	7
Client	Netvideo, EasyLive
Web Version	Web5
Interface	
Communication Interface	1 RJ45 10M/ 100M self-adaptive Ethernet port
Audio I/O	Mic in
Reset Button	Yes
On-board storage	Built-in MicroSD card slot, up to 512 GB
General	

Web Client Language	16 languages English, Russian, Spanish, Korean, Italian, Turkish, Simple Chinese, Traditional Chinese, Thai, French, Polish, Dutch, Hebraism, Farsi, Arabic, Vietnamese
Operating Conditions	-35 °C ~ 65 °C, 0 ~ 95% RH
Power Supply	DC 12V±25%, PoE (802.3af)
Power Consumption	MAX: 6W (12V) MAX: 7W (PoE)
Protection	IP67, Lightning protection, surge protection and voltage transient protection meets EN 55035:2017
Dimensions	Φ16.6 83.7mm (4.59 3.30inch)
Weight	Metal+Plastic: 0.34Kg (0.75lb) Metal: 0.47Kg (1.04lb)



Note: Product specification and design are subject to change without any prior notice.