

## Model: NT-IBN12-PRO

Spec: I5/P/4mm

2MP Fixed IR Bullet Camera



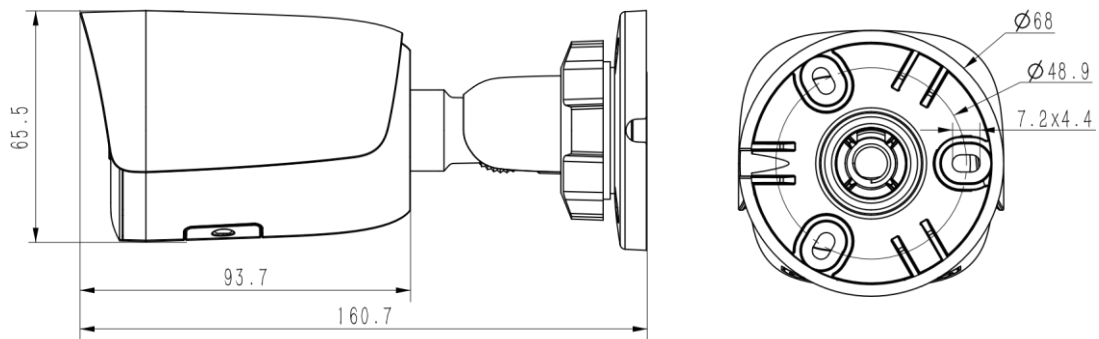
### Features

- Up to 1920x1080@25/30fps
- Default: Metal+Plastic,
- S+265/H.265/H.264
- Min. illumination Color: 0.02Lux@F2.0
- 100 dB WDR
- Smart IR, IR Range: 50m
- Support tripwire and perimeter
- Built-in Mic, SD Card Slot,
- Operating Conditions -35°~65°, 0~95% RH
- POE, IP67

<b>Camera</b>	
<b>Image Sensor</b>	1/2.8" CMOS
<b>Signal System</b>	PAL/NTSC
<b>Min. Illumination</b>	Color: 0.02Lux@ (F2.0, ACG ON), B/W: 0Lux with IR
<b>Shutter Time</b>	1s to 1/100,000s
<b>Day &amp; Night</b>	Dual IR Cut Filter with Auto Switch
<b>Wide Dynamic Range</b>	100dB
<b>Angle Adjustment</b>	Bracket, pan 0~360°, tilt 0~75°, roate 0~360°
<b>Lens</b>	
<b>Lens Type</b>	Fixed
<b>Focus</b>	4mm
<b>Lens Mount</b>	M12
<b>Aperture</b>	F2.0, Fixed
<b>FOV</b>	Horizontal field of view: 82.1° (4mm)
<b>Illuminator</b>	
<b>IR LEDs</b>	2
<b>IR Range</b>	Up to 50m
<b>Wavelength</b>	850nm
<b>White LEDs/Warmlights</b>	N/A

<b>Compression Standard</b>	
<b>Video Compression</b>	S+265/H.265/H.264
<b>Video Bit Rate</b>	32Kbps~6Mbps
<b>Audio Compression</b>	G.711/G.711U/ADPCM
<b>Audio Bit Rate</b>	8K~48Kbps
<b>Image</b>	
<b>Max. Resolution</b>	1920x 1080
<b>Main Stream</b>	PAL: 25fps (1920x 1080, 1280* 720, 704 *576, 640 *480)
	NTSC: 30fps (1920x1080,1280* 720, 704* 480, 640* 480)
<b>Sub Stream</b>	PAL: 25fps (704 *576, 704 *288, 640* 360, 352* 288)
	NTSC: 30fps (704* 480, 704* 240, 640 *360, 352* 240)
<b>Image Setting</b>	Saturation, brightness, contrast, sharpness, adjustable by client software or web browser
<b>Image Enhancement</b>	BLC/3D DNR/HLC
<b>ROI</b>	N/A
<b>OSD</b>	16 16, 32 32, 48 48, 64 64, adaptable size, Letters Such as Week, Date, Time, Total 3 Regions
<b>Privace Mask</b>	Yes, 4 regions
<b>Smart Defog</b>	Yes
<b>Feature</b>	
<b>Alarm Trigger</b>	Motion Detection, Mask Alarm, IP Address Conflict
<b>Video Analytics</b>	Tripwire, Perimeter
<b>Network</b>	
<b>ANR</b>	Yes, auto store video in SD card when NVR disconnected, and upload video to NVR when resumed connection (Only Support NT-SERIES ANR NVR)
<b>Protocols</b>	TCP/IP, HTTP, FTP, DHCP, DNS, DDNS, MULTICAST, IPV4, NTP, UDP, Telnet
<b>System Compatibility</b>	ONVIF (PROFILE S/T/G), SDK, CGI (IE), P2P(Mutually exclusive with Profile G)
<b>Remote Connection</b>	7
<b>Client</b>	Easy7, EasyLive
<b>Web Version</b>	Web5
<b>Interface</b>	
<b>Communication Interface</b>	1 RJ45 10M/ 100M self adaptive Ethernet port
<b>Audio I/O</b>	Mic in
<b>Reset Button</b>	Yes
<b>On-board storage</b>	Built-in MicroSD card slot, up to 512 GB
<b>General</b>	
<b>Web Client Language</b>	16 languages English, Russian, Spanish, Korean, Italian, Turkish, Simple Chinese, Traditional Chinese, Thai, French, Polish, Dutch, Hebraism, Farsi, Arabic, Vietnamese
<b>Operating Conditions</b>	

	-35 ~ 65 , 0 ~ 95% RH
<b>Power Supply</b>	DC 12V±25%, PoE (802.3af)
<b>Power Consumption</b>	MAX: 6W (12V) MAX: 7W (PoE)
<b>Protection</b>	IP67, Lightning protection, surge protection and voltage transient protection meets
<b>Dimensions</b>	160.8x68x74.5mm (6.33 2.68x2.93inch)
<b>Weight</b>	Metal+Plastic: 0.3Kg (0.66lb)



Note: Product specification and design are subject to change without any prior notice.